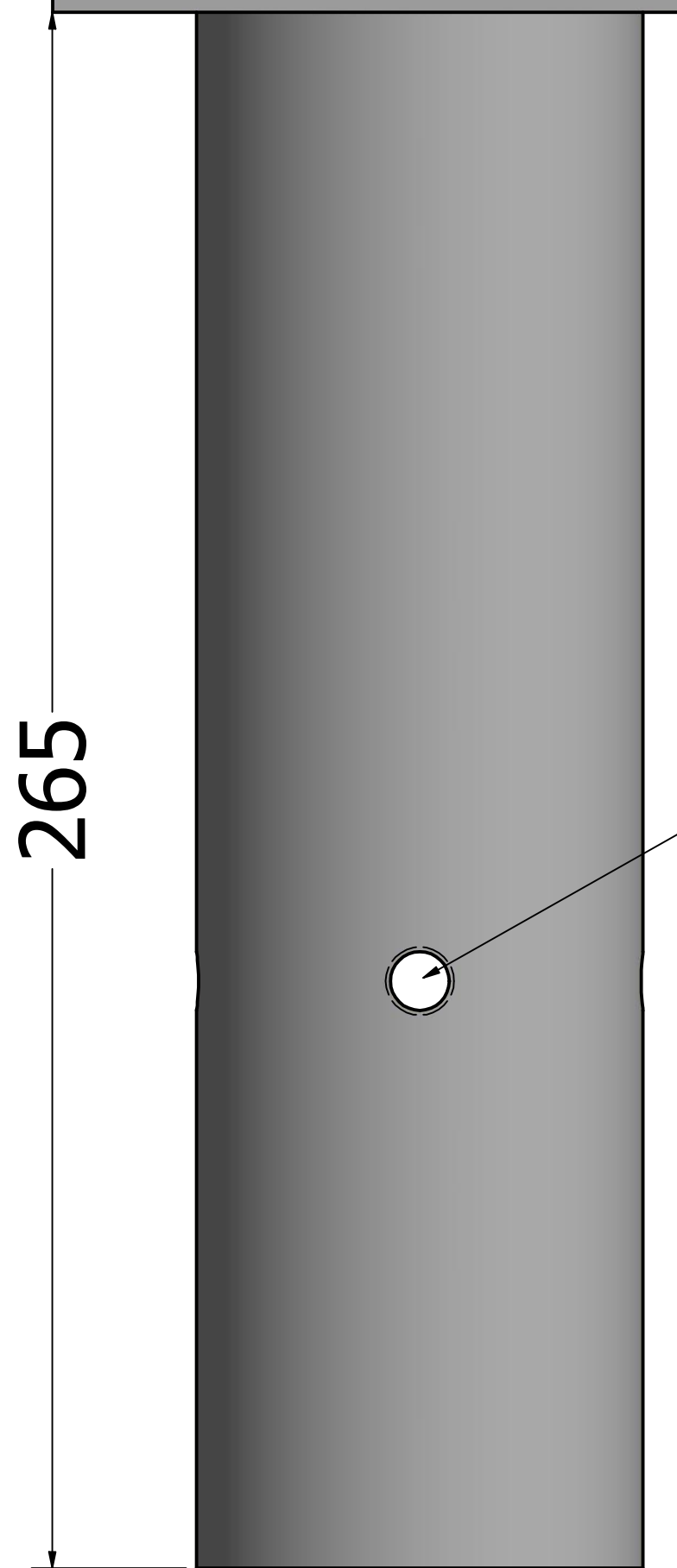


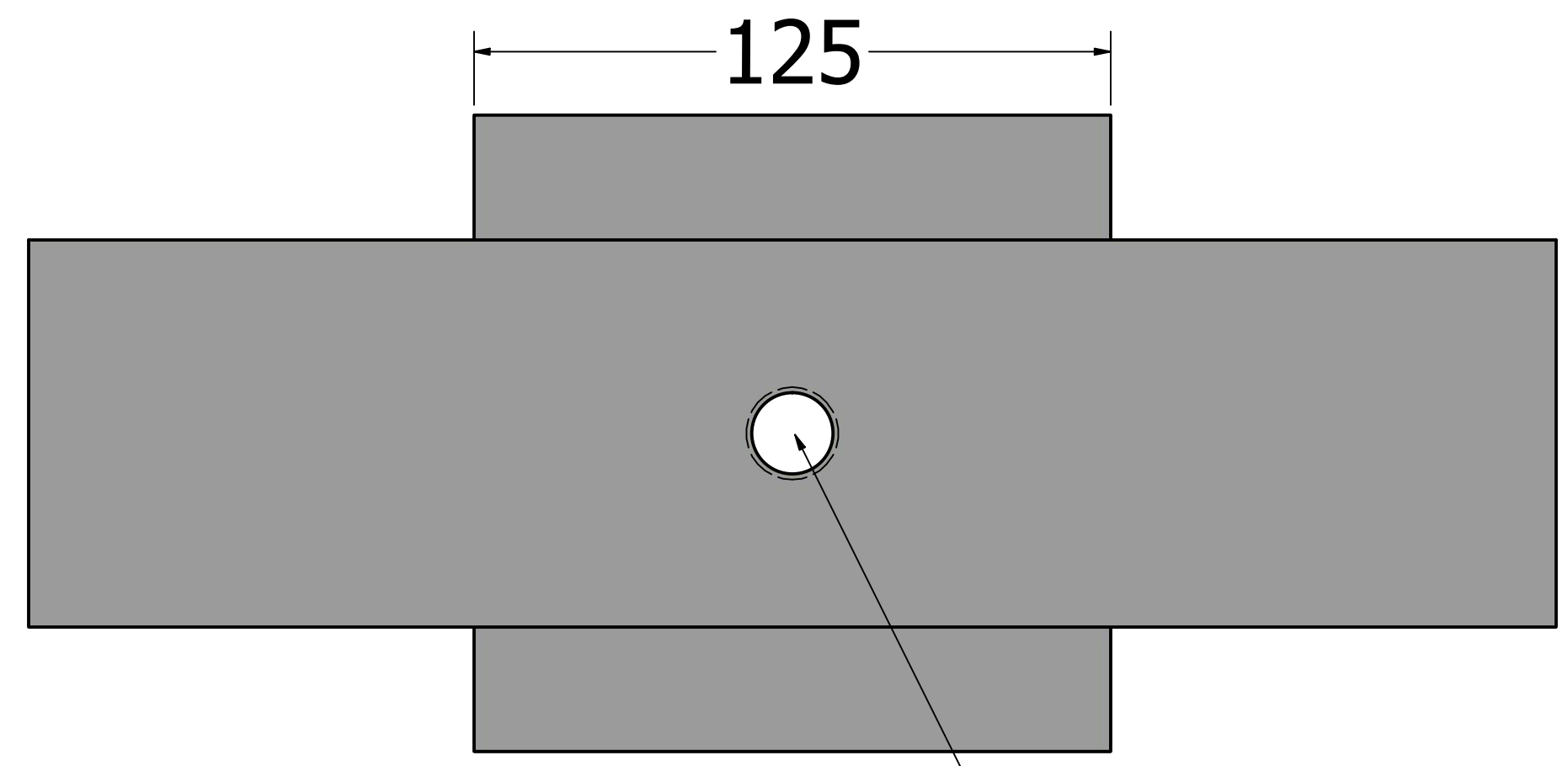
300



265

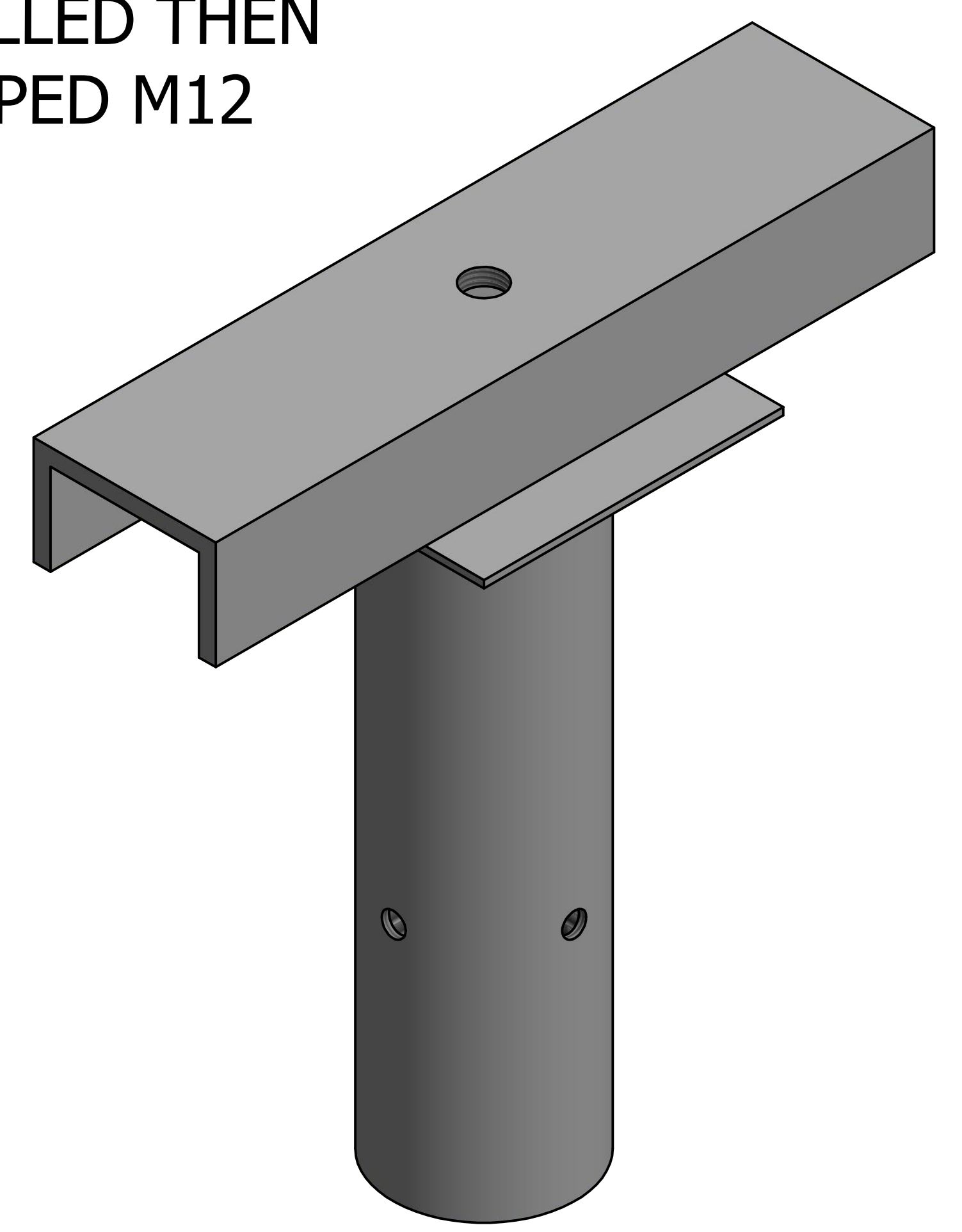
76 ϕ

FOUR HOLES
DRILLED THEN
TAPPED M10



125

SINGLE HOLE
DRILLED THEN
TAPPED M12



ACCEPTED BY _____

DATE ACCEPTED _____

GENERAL NOTES:
ALL DIMENSIONS IN MILLIMETERS
ALL BURRS AND SHARP EDGES TO BE
REMOVED

Copyright
The user may not copy, reproduce, republish, post,
broadcast, transmit, make available to the public
or otherwise use any BEI Lighting or UK Electric Ltd
content contained in this document in any way without
our written permission.

BEI LIGHTING
WYNDHAM CLOSE
BRACKLA INDUSTRIAL ESTATE
BRIDGEND CF31 2AN
TEL: 01656 645414
FAX: 01656 669231
EMAIL: sales@beilighting.com
WEB: www.beilighting.com

BEI | lighting
lighting from the ground up

DRAWN	Neil Carter	02/10/2019
CHECKED		
QA		
MFG		
APPROVED		

ANY BESPOKE BRACKETS ARE MADE TO ORDER
AND AS SUCH ARE NON RETURNABLE

TITLE
SINGLE GALVANISED FLOODLIGHT BRACKET
TO SUIT 60MM POST TOP COLUMNS OR
SPIGOTS

DWG NO
X1-76

SCALE 0.9

SHEET 1 OF 1